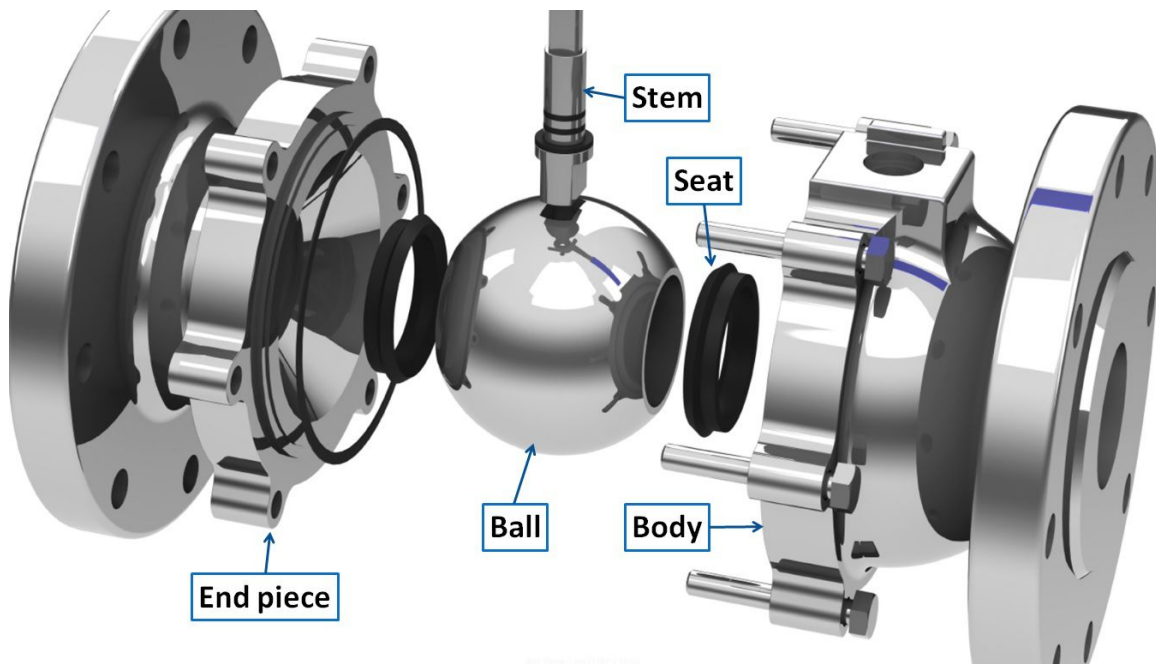




Type : V-2F  
DN 15 - DN 250  
ANSI 150

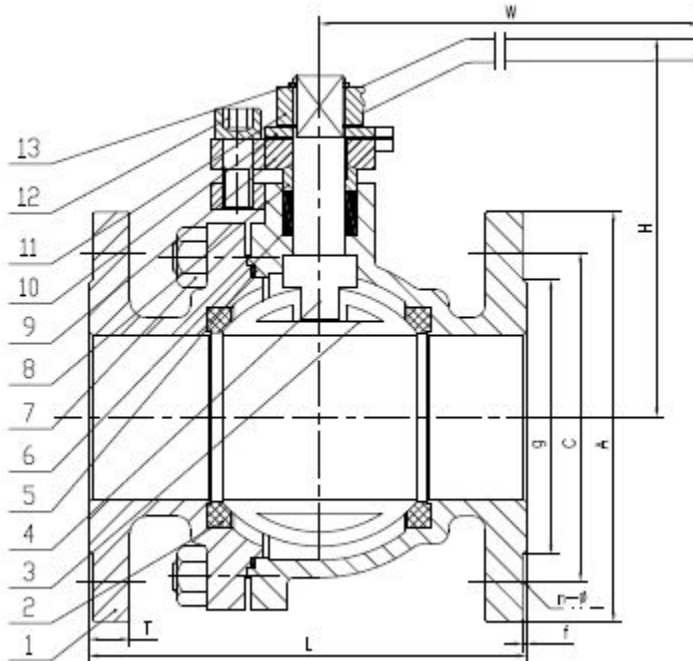
## **OMAL Ball Valve**

**2PC Body  
Flanged**



NO	PART NAME	MATERIAL		
1	BODY	A216WCB	CF8	CF8M
2	CAP	A216WCB	CF8	CF8M
3	BALL	CF8	CF8	CF8M
4	SEAT		PTFE	
5	STEM	SS304	SS304	SS316
6	GASKET		PTFE	
7	THRUST WASHER		CF	
8	PACKING		PTFE	
9	STEM PACKING		PTFE	
10	GLAND		CF8	
11	GLAND BOLT		SS304	
12	HANDLE		FCD	
13	STOPPER		SS304	
14	SNAP RING		SS304	
15	BOLT		SS304	

## A216WCB Dimensi Ball Valve 2PC Body Full Bore

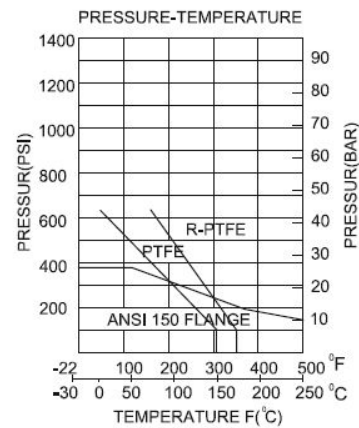
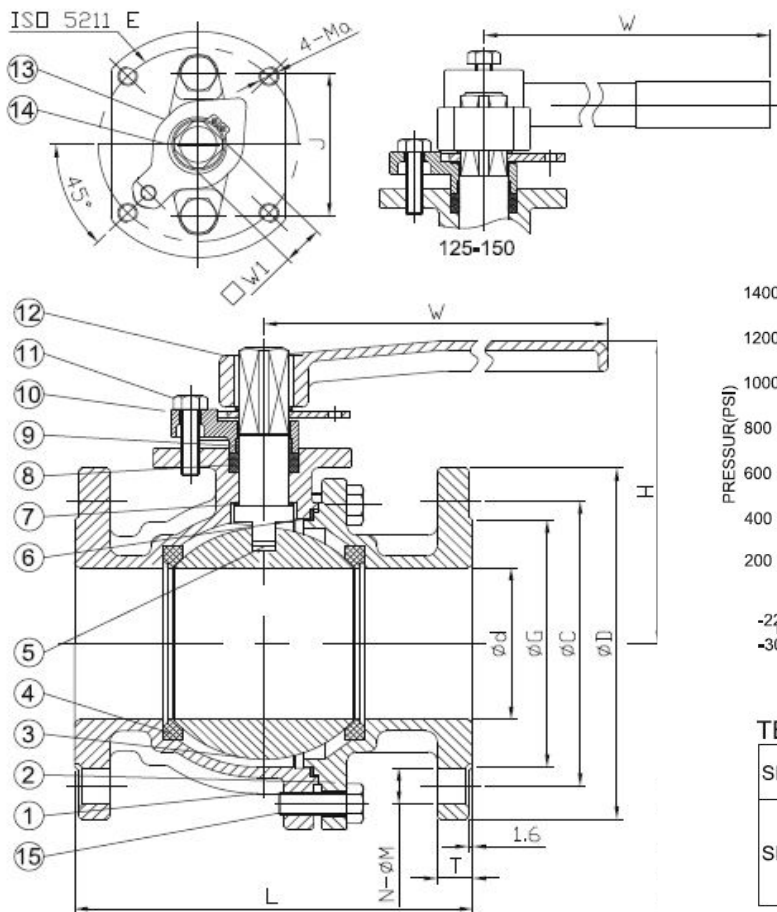


### APPLICABLE STANDARDS :

1. Basic Design : API6D
2. Flange : ANSI B16.5
3. Valve Test and Inspect : API 598
4. Mark : M.SS SP-25

DN	L	A	C	g	T	f	n-ø	H	W
1/2	108	89	60.5	35	11.5	1.6	4-16	86	118
3/4	117	98	70	43	11.5	1.6	4-16	91	141
1	127	108	79.5	51	11.5	1.6	4-16	96	153
1 1/4	140	117	89	64	13	1.6	4-16	105	180
1 1/2	165	127	98.5	73	14.5	1.6	4-16	119	222
2	178	152	120.5	92	16	1.6	4-19	137	230
2 1/2	190	178	139.5	105	17.5	1.6	4-19	158	268
3	203	190	152.5	127	19.5	1.6	4-19	175	294
4	229	229	190.5	157	24	1.6	8-19	211	320
5	356	254	216	186	24	1.6	8-22	250	400
6	394	279	241.5	216	25.5	1.6	8-22	300	500
8	457	343	298.5	270	29	1.6	8-22	350	800
10	533	406	362	324	31	1.6	12-25	410	900

## CF8 Dimensi Ball Valve 2PC Body Full Bore



### TEST PRESSURE:

SHELL (BY WATER)	450PSI
	32kg/cm <sup>2</sup>
SEAT	BY WATER
	315PSI
	22kg/cm <sup>2</sup>
	BY AIR
85PSI	
6kg/cm <sup>2</sup>	

SIZE	d	D	C	G	T	N-ØM	L	H	W	W1	J	ISO 5211	E	Ma
1/2"	15	89	60.5	35	11.1	4-Ø16	108	92	160	12	50	F04	42	M5
3/4"	20	98	70.0	43	11.1	4-Ø16	117	98	160	12	50	F04	42	M5
1"	25	108	79.5	51	11.1	4-Ø16	127	103	160	12	50	F05	50	M6
1 1/4"	32	117	89.5	64	12.7	4-Ø16	140	107	160	12	50	F05	50	M6
1 1/2"	40	127	98.5	73	14.3	4-Ø16	165	112	230	17	62	F07	70	M8
2"	50	152	120.5	92	15.9	4-Ø19	178	122	230	17	62	F07	70	M8
2 1/2"	65	178	139.5	105	17.5	4-Ø19	190	151	350	21	75	F07	70	M8
3"	80	190	152.5	127	19.1	4-Ø19	203	161	350	21	75	F10	102	M10
4"	100	229	190.5	157	23.9	8-Ø19	229	175	350	21	75	F10	102	M10
5"	125	254	216.0	186	23.9	8-Ø22	356	224	750	24	89	F12	125	M12
6"	150	279	241.5	216	25.4	8-Ø22	394	247	750	24	89	F12	125	M12

### FEATURES :

- Face to Face Dimensions : ASME B16.10
- End Flange Dimensions : ASME B16.5
- Test : API 598
- With ISO 5211 Mounting Pad
- Blow Out proof Stem / Full Port
- Lever Operated
- 1-1/2" - 6" : Hollow Ball With Pipe