

BUTTERFLY VALVE GEAR OPERATED

VARIMEX®

DESCRIPTION

VARIMEX® Butterfly valve is designed for perfect shut off in both directions. It is wafer type designed for installation between flanges without requiring any gaskets and drilled in accordance to major flange standards example DIN, ANSI and JIS. They can be installed in horizontal and vertical positions on the piping systems. It is usually used in Fire Protection System, Water Treatment Plant, Palm Oil Plant, Refinery Plant, Petrochemical Plant.

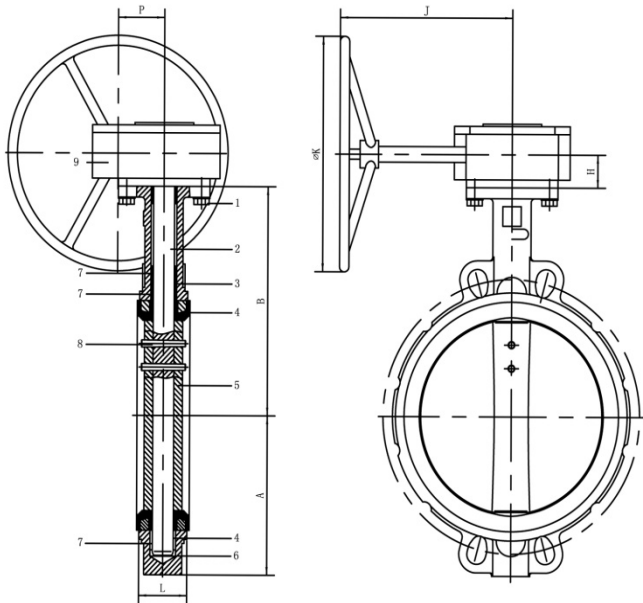
APPLICATION

Suitable for water, oil air, gases and non abrasive media



DN	A	B	H	J	K	P	L	S	C	D	P	Torque N - M
250	203	292	41	235	300	63	68	22	125	102	11.5	380
350	242	337	42	226	300	81	78	22	125	102	11.5	538

NOTES : Flange drilling compatible with PN6/10/16, ANSI 150 and JIS 10K



Technical Requirement

Item	Description	Material
1	Bolt	Carbon Steel
2	Stem	SS410
3	O-Ring	NBR
4	Seat	NBR
5	Disc	CF8
6	Body	CI
7	Bushing	PTFE
8	Tapper Pin	SS304
9	Gear Operated	