



Figure
VG-BV10

DN 15 – 250
JIS10K

2PC Body Ball Valve

Flanged

Data Sheet

Edition: 01 / 2021

TWO PIECE BODY BALL VALVE

VARIMEX® Ball valve two piece body designed to allow maintenance on all internal parts mainly for low pressure and temperature. This two piece ball valve can be installed in vertical and horizontal positions on the piping system and usually used in Palm Oil and Refinery Plant, Water and Sewerage Industries.



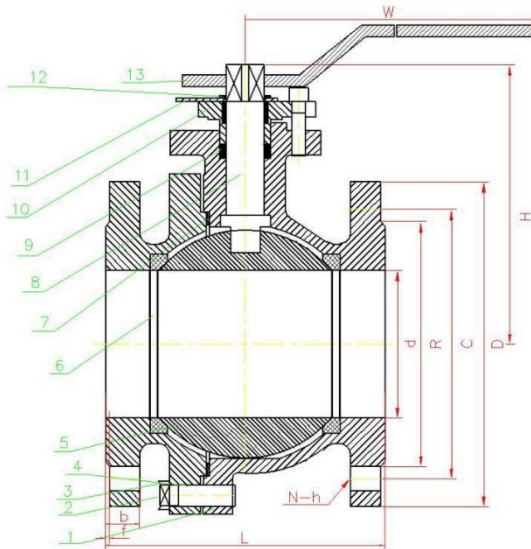
❖ AVAILABLE FEATURES

- ◆ Floating or trunnion mounted Ball
- ◆ End connection : Flange Ends
- ◆ Full Bore valves
- ◆ Sealing of the stem
- ◆ Fire safe (EN ISO 10497)
- ◆ Anti-static protection (EN 1983 ; API Speck6D)
- ◆ Anti blow system protecting the stem against blowing out
- ◆ Standard sealing of the ball
- ◆ ISO standard connecting plate

TWO PIECE BODY BALL VALVE

❖ **APPLICATION**

Suitable for water, oil, air and non abrasive media.



NO.	Part	Material
1	Body	Cast Iron (FC20)
2	Bonnet	Cast Iron (FC20)
3	Nut	Carbon Steel
4	Bolting	Carbon Steel
5	Ball	Stainless Steel (SS304)
6	Seat	PTFE
7	Gasket	PTFE
8	Stem	Stainless Steel (SUS420)
9	Stem Packing	PTFE
10	Gland Flange	Cast Iron (FC20)
11	Stop Collar	Carbon Steel
12	Circlip	Carbon Steel
13	Lever	Carbon Steel

❖ **DESCRIPTION**

DN	d	L	D	C	R	b	N-h	f	H	W
15	15	108	95	70	52	14	4-Ø15	1	78	130
20	20	117	100	75	58	16	4-Ø15	1	113	160
25	25	127	125	90	70	16	4-Ø19	1	107	160
32	32	140	135	100	80	18	4-Ø19	2	113	160
40	40	165	140	105	85	18	4-Ø19	2	130	250
50	50	178	155	120	100	20	4-Ø19	2	146	250
65	65	190	175	140	120	22	4-Ø19	2	176	350
80	80	203	185	150	130	22	8-Ø19	2	222	350
100	100	229	210	175	155	24	8-Ø19	2	222	400
125	125	356	250	210	185	24	8-Ø23	2	250	600
150	150	394	280	240	215	26	8-Ø23	2	275	600
200	200	457	330	290	265	26	12-Ø23	2	-	-
250	250	533	400	355	325	30	12-Ø25	2	-	-

PT. VICTORINDO PRATAMA MANDIRI

JL. Pulau Bunaken No. A3
Kawasan Industri Medan III (KIM-3)
Medan, North Sumatera
Indonesia - 20242

Phone : (+6261) 88809911
Fax : (+6261) 88809996
Email : medan@victorindogroup.com